

# Polaris Area Light

LED area light  
POL

## Product description

**Polaris Area Light** is a dynamic pole mount light for area and roadway lighting. It features power and lumen options to accommodate any project with an industry-leading 170 lm/W.

- Excellent performance and uniformity for greater pole spacing and lower power density
- Unobtrusive, low-profile design blends seamlessly with the architectural landscape
- Three power settings in one fixture to provide greater flexibility and accommodate any project
- Delivers up to 25,500 lumens and an efficacy of 170 lm/W
- Includes a standard Zhaga interface to support motion sensors or other controls



## Luminaire

Part number	Description
POL-AL-U-50K-T3-BK-S-DZ	Black housing
POL-AL-U-50K-T3-SL-S-DZ	Silver housing
POL-AL-U-50K-T3-WT-S-DZ	White housing

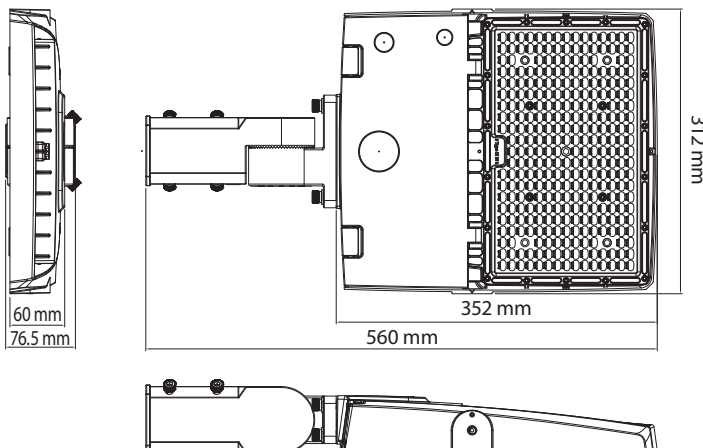
## Performance summary

Wattage	70 W	100 W	150 W
Voltage	120-277 VAC		
Lumens	11,900	17,000	25,500
Efficacy	170 lm/W		



## Dimensions

Weight: 4.4 kg



# Polaris Area Light

LED area light  
POL

## Product specifications

### Electrical

Wattage	Lumens	Efficacy
70 W	11,900	170 lm/W
100 W	17,000	
150 W	25,500	

**Input voltage** ..... 120-277 VAC

**Power factor** ..... >0.9

**THD** ..... <20%

**Surge protection** ..... 10kV standard

### Lighting

**Light distribution** ..... Type III

**Color temperature (CCT)** ..... 5000 K

**Color rendering (CRI)** ..... >80

### Performance

**Ingress protection** ..... IP66

**Operating temperature** ..... -25° C to +45° C

**Life rating** ..... >102,000 hours reported

### Construction

**Housing** ..... Diecast aluminum

**Lens** ..... PMMA

**Special seals** ..... Silicone lens gaskets

**Finishes** ..... Black, Silver, White

**Finish process** ..... Powder coat

### Mounting

**Mounting** ..... Included slipfitter

**Pole mount** ..... Optional 60 mm adapter

### Documentation

**Warranty** ..... 10-year limited

**Agency listings** ..... CE, RoHS



**SloanLED Headquarters**  
3490 Venture Dr., San Angelo, TX, USA  
325 227 4577 • info@SloanLED.com

**SloanLED Europe b.v.**  
Argonstraat 110, 2718 SN Zoetermeer, NL  
+31 88 12 44 900 • europe@SloanLED.com

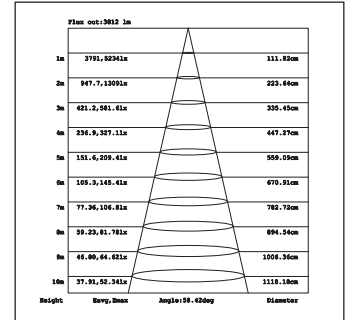
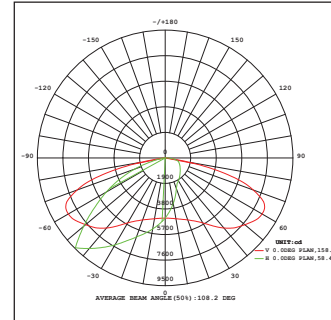
**SloanLED.com**



Visit product page for details.

## Photometrics

150 W



### Characteristics

IES Classification	Type III
Longitudinal Classification	Short
Luminaire lumens	25,500 nominal
Luminaire efficacy rating	170
Total luminaire watts	150