

RD Series: RDA

LED Recessed Downlight, Adjustable
RDA

Product description

The SloanLED RD Series of LED downlights offer exceptional performance and quality for spot, task, and wall washing in retail and commercial applications. The Recessed Downlight – Adjustable (RDA) is a sealed parabolic reflector spotlighting fixture that provides even distribution, high-punch lighting while preventing insect ingress into the fixture. The fully adjustable fixture rotates horizontally 360° and vertically 70°. The high efficacy of the fixture yields energy savings of more than 90% over incandescent and more than 60% over CFL. Payback on this fixture typically occurs in less than one year.

- Long life LED and easy adjustment reduces maintenance/setup costs
- Sealed reflector/lens keeps bugs out
- Easy to install spring clip mounting allows for quick retrofits or remodels
- Energy savings of more than 60% over CFL



Product specifications

Part number 701977-4ACCW1

Electrical

Driver ENEC Certified driver included

Input voltage 220-240 VAC

Output voltage 32-42 VDC

System input power 21 W

System efficacy 97 lm/W

Power factor >0.9

Total Harmonic Distortion (THD) ... <20%

Lighting

Light output 2,037 Lumens (nominal)

Beam angle 20°

Color temperature (CCT) 4000 K

Color rendering (CRI) >80

Number of LEDs 1

LED type Chip-on-Board (COB)

Dimmable No

* Based on LED component manufacturer data.



Performance

Ingress protection IP20

Operating temperature 10° C to 30° C (50° F to 86° F)

Life rating >50,000 hours (L₇₀)*

Construction

Housing Aluminum die casting

Trim Polycarbonate

Lens Clear glass

Finish White trim ring and body

Weight 2.7 kg (6.0 lbs)

Mounting

Mounting Spring clamps

Hole diameter 135 mm (5.31")

Documentation

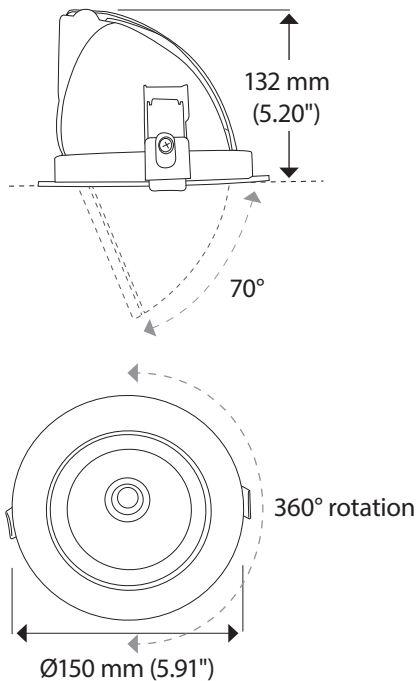
Warranty 5-year limited

Agency listings CE, ErP: A+, RoHS, Reach, LVD

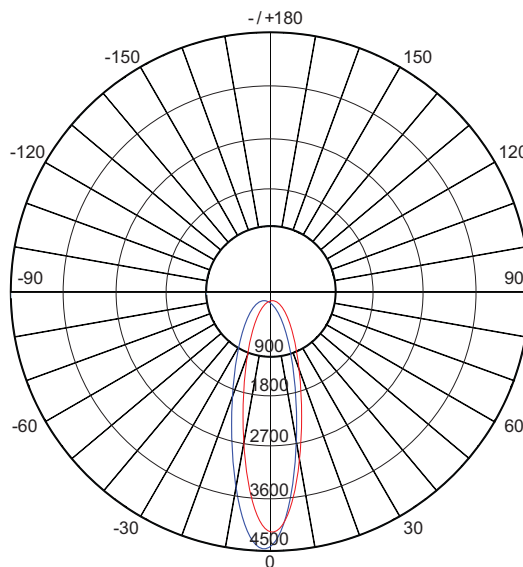
RD Series: RDA

LED Recessed Downlight, Adjustable
RDA

Dimensions



Photometrics



SloanLED Headquarters
5725 Olivas Park Drive, Ventura, CA, USA
805.676.3200 • info@SloanLED.com

SloanLED Europe b.v.
Argonstraat 110, 2718 SN Zoetermeer, NL
+31 88 12 44 900 • europe@SloanLED.com

SloanLED.com