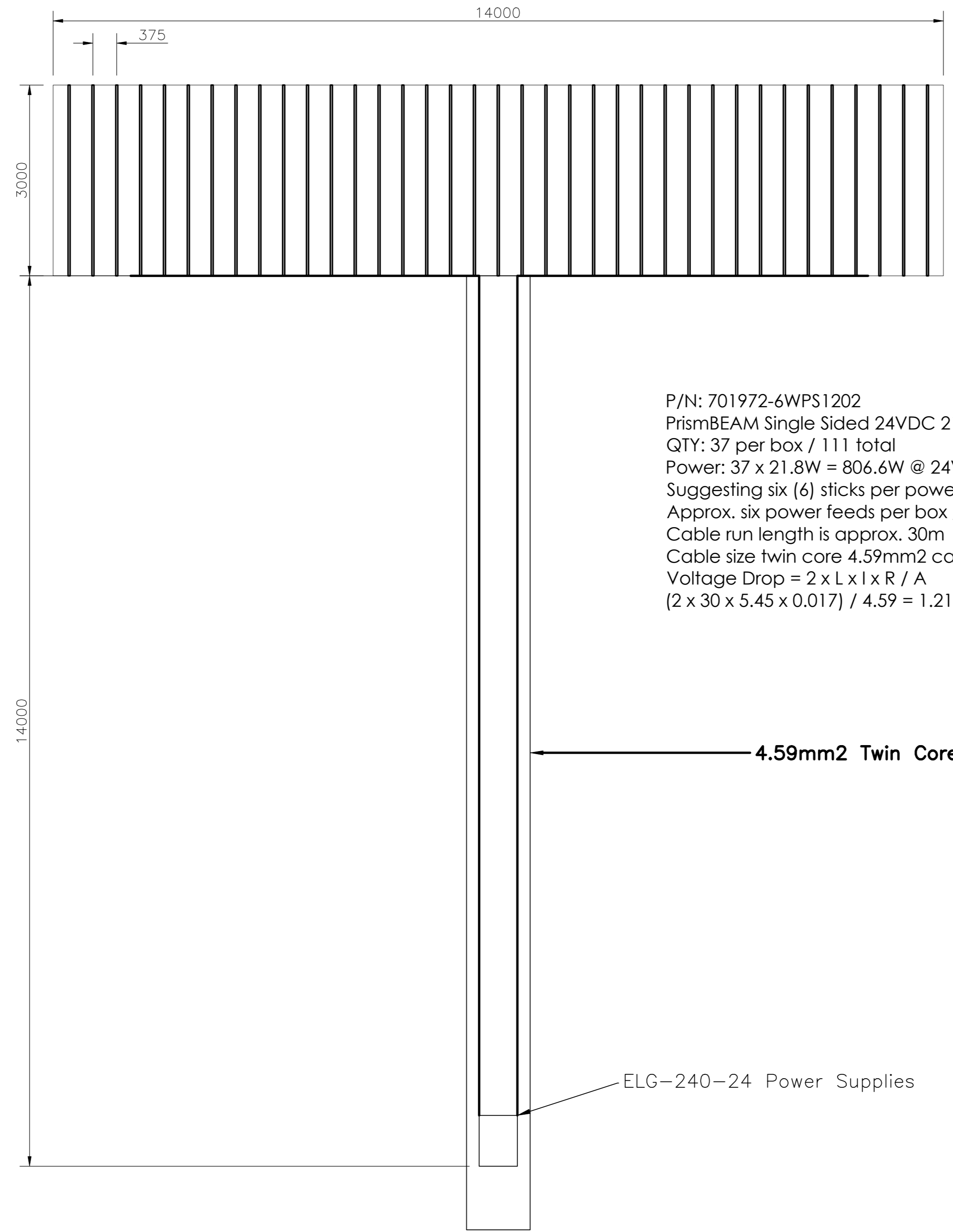
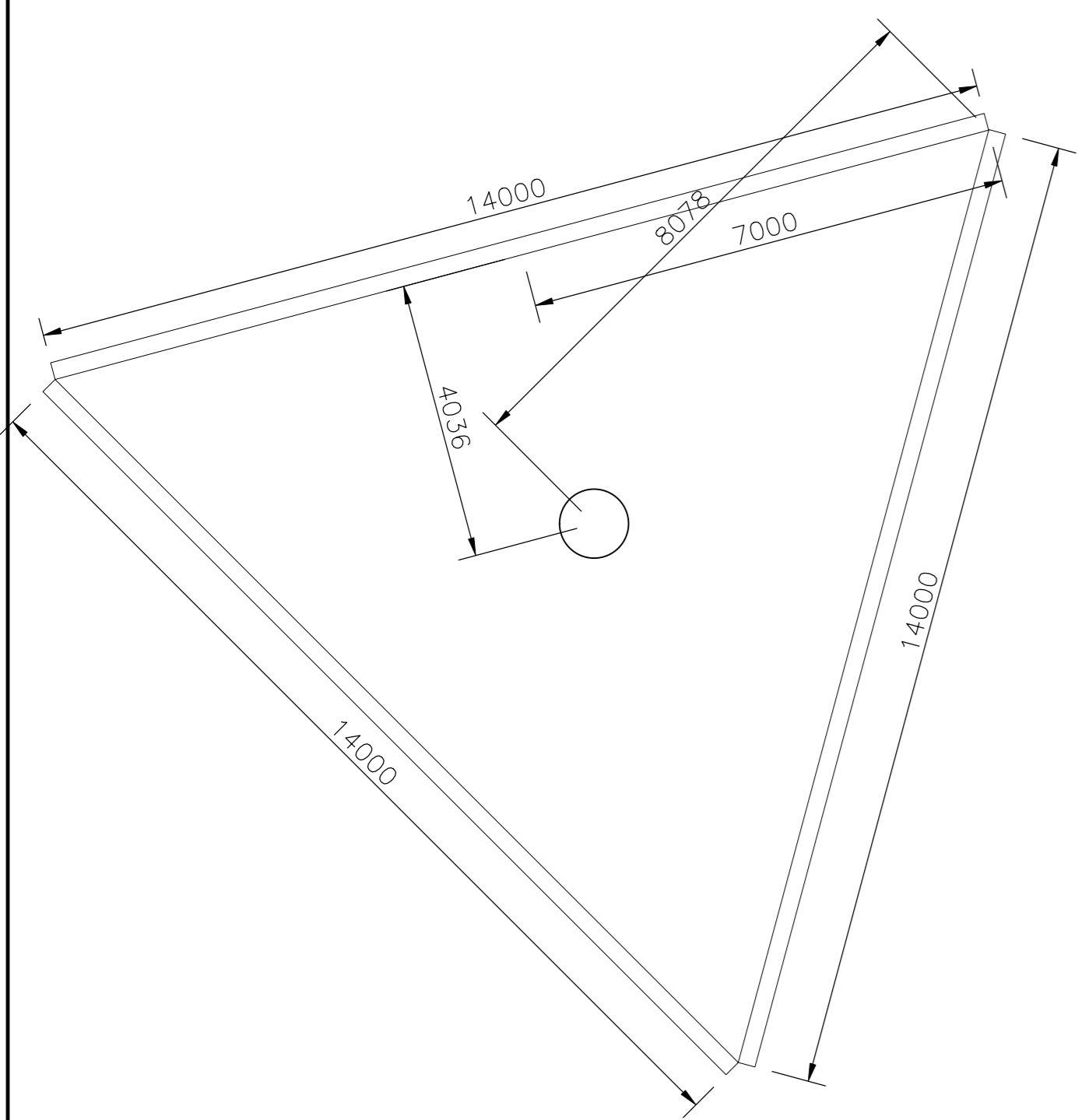


**Notes:**

1. THE COPYRIGHT OF THIS DRAWING IS VESTED IN VISUAL TECHNOLOGIES AND IT MAY NOT BE REPRODUCED IN WHOLE OR PART OR USED FOR THE MANUFACTURE OF ANY ARTICLE WITHOUT THE EXPRESS PERMISSION OF THE COPYRIGHT HOLDERS
2. ALL DIMENSIONS IN mm UNLESS OTHERWISE STATED
3. THIS DRAWING IS TO BE READ IN CONJUNCTION WITH ALL RELEVANT ARCHITECTS, SERVICE ENGINEER'S AND VISUAL TECHNOLOGIES DRAWINGS AND SPECIFICATIONS
4. THE LIGHTING DETAILED IS BASED ON A FILE SUPPLIED BY THE CLIENT. THIS FILE MAY HAVE BEEN CONVERTED TO A CAD FILE AND SCALED USING STANDARD SIZING THEREFORE DIMENSIONAL ACCURACY SHOULD BE CONFIRMED BY THE CLIENT
5. A LIGHT LOSS FACTOR OF 0.8 HAS BEEN UTILISED IN THIS DESIGN
6. THE LIGHT TECHNICAL PARAMETERS COMPLY WITH THE CLIENT SPECIFICATION AND THE RECOMMENDATIONS OF AS/NZS 1680
7. NCC J6 COMPLIANCE HAS NOT BEEN EVALUATED
8. COMPLIANCE TO AS4282: 1997 HAS NOT BEEN EVALUATED AND IS NOT IMPLIED
9. PHOTOMETRIC DATA WAS PROVIDED BY MANUFACTURER. SOFTWARE USED FOR CALCULATIONS IS DIALUX EVO 8.1
10. CALCULATIONS ARE SUBJECT TO ACCURACIES AND TOLERANCES NOMINATED IN AUSTRALIAN AND NEW ZEALAND STANDARDS AS/NZS 3827.1:1998 AND AS/NZS 3827.2:1998
11. VISUAL TECHNOLOGIES TAKES NO RESPONSIBILITY FOR INCORRECT LIGHTING PLACEMENT OR LIGHT SPILL ONTO ADJACENT PROPERTIES. THIS DESIGN IS BASED ON SUPPLIED INFORMATION FROM CLIENT, AND TO BE USED AS VISUAL INDICATION ONLY OF THE EXPECTED ILLUMINANCE LEVELS
12. ALL LUMINARY QUANTITIES, POLE HEIGHTS AND PLACEMENT OF LUMINARIES TO BE CONFIRMED BY THE CLIENT IN WRITING PRIOR TO PLACEMENT OF ORDER



P/N: 701972-6WPS1202  
 PrismBEAM Single Sided 24VDC 21.8W per stick  
 QTY: 37 per box / 111 total  
 Power: 37 x 21.8W = 806.6W @ 24VDC / 896.2W @ 240VAC  
 Suggesting six (6) sticks per power feed = 6 x 21.8 = 130.8W @ 24VDC / 5.45A per feed  
 Approx. six power feeds per box / 18 total  
 Cable run length is approx. 30m  
 Cable size twin core 4.59mm<sup>2</sup> cable  
 Voltage Drop =  $2 \times L \times I \times R / A$   
 ( $2 \times 30 \times 5.45 \times 0.017$ ) / 4.59 = 1.21V drop - 24 - 1.21 = 22.79VDC??

4.59mm<sup>2</sup> Twin Core

ELG-240-24 Power Supplies



0	INITIAL ISSUE	RPG	13/03/19
REV:	DESCRIPTION:	BY:	DATE:
STATUS: INITIAL ISSUE			

**VISUAL TECHNOLOGIES**  
 532b Somerville Road  
 Sunshine West VIC 3020  
 P: +61 3 8692 6644  
 F: +61 3 8692 6645  
 www.visualtechnologies.com.au

CLIENT: **Brett Garland**  
 Automated Cabling Solutions  
 PH: 0400663351

ARCHITECT:

SITE: **IKEA Innaloo**  
 6 Sunray Drive, Innaloo WA 6018

TITLE: **Light Box Retrofit**

SCALE AT A1:	DATE:	DRAWN:	CHECKED:
NTS	13/03/19	RPG	MJH
PROJECT NO:	DRAWING NO:	REVISION:	
190313-01	A1/00	0	