

24  
VDC

5  
YEAR  
Product & Labor  
WARRANTY

# We Brighten Your Brands



## SloanLED BrightLINE 2

LED illumination for shallow,  
single-sided sign boxes



# A straight line to stunning retail displays.

**5**  
YEAR  
Product & Labor  
WARRANTY

SloanLED BrightLINE 2 is better than ever, delivering bright, uniform illumination and fast, easy installation in shallow, single-sided, fabric-face light boxes more efficiently with lower energy consumption allowing for more product per power supply!

**SloanLED**  
**BrightLINE 2 LP's**  
tighter spacing is offset  
with a reduced light  
output of 33% resulting  
in even more product  
per power supply!

- Ideal for single-sided, fabric-face light boxes 30 - 120 mm (1.2 - 4.7") deep
- **NEW** LP version optimized for applications 40 mm (1.57") deep or less balances brightness and product spacing to achieve incredible loading of 44 (long) sticks per 100 W power supply
- Now available in 6500 K and 4000 K for greater versatility in illuminating warm to cool colors and skin tones
- Massive increase in efficacy allows 50% more product per power supply over previous generation without sacrificing brightness
- Long and Short lengths available for ease of installation
- Features prism lens technology for bright, even illumination
- Fast, easy installation with no soldering or plugging individual boards together
- 5-year parts and labor assistance warranty

*Cuttable in width and length for zero waste\**

*Conformal coated and protected to resist condensation that can form during indoor use*

*Pre-wired system, no soldering required, with fewer connections for faster install time and increased reliability*



*Micro prism lens  
for a wide, even  
light spread*

SloanLED BrightLINE 2 features prism lens technology which captures otherwise wasted light and redirects it toward the illuminated surface, delivering bright, even illumination and wider spacing, while providing a greater degree of protection against accidental damage to the LED system when the retailer is replacing the graphics.

\* SloanLED BrightLINE 2 Short cuttable in length only.



# Consistency is key.

Binning is a method of sorting LED chips so that all the LEDs from one particular bin share a similar output and appearance. Many LED systems often demonstrate a temperature range variation of 1000 K, and extreme deviations like that can result in substantial differences in color. This is particularly evident in more challenging applications such as shallow light boxes where consistent color reproduction across the entire display is crucial. SloanLED maintains tight control over the binning process for chip color consistency so your brand is represented accurately every time.

## Brightening the bottom line.

SloanLED has been a key manufacturer and supplier to the sign industry for over 20 years. Our high-efficiency, long lasting solutions don't just light your signs; they represent significant energy cost reductions, maintenance cost savings, easy installation, and faster ROI. SloanLED BrightLINE 2's low-voltage 24 VDC system delivers exceptional efficiency and performance, and surpasses expectations using up to 20% less power than common LED ribbon tape solutions.



## Confidence down the line.

LED ribbon tape, commonly used in this type of application, is often manufactured using cheaper components—maximizing the potential brightness of the product at the expense of longevity and overdriving the LEDs for instant gratification, resulting in a color shift and a decrease in brightness over a short period of time. SloanLED BrightLINE 2 utilizes the highest caliber components in order to maintain brightness and consistent color throughout the life of the product, even at temperatures up to 60° C.

# SloanLED BrightLINE 2



## Specifications

| Model                    | Part number | Color temp. (CCT) | Dimensions L x W x H | Power per strip  | Efficacy | Lumens per strip | Packaging                                       |
|--------------------------|-------------|-------------------|----------------------|--|----------|------------------|---|
| SloanLED BrightLINE 2    | Long        | 701989-6W24LB1    | 6500 K               | 479 mm x 18 mm x 8 mm<br>(18.875 in x 0.709 in x 0.320 in) | 3.33 W   | 150 lm/W         | 27-unit daisy-chain per bag, 10 bags per carton |
|                          |             | 701989-4W24LB1    | 4000 K               |  |          |                  |   |
|                          | Short       | 701989-6W24SB1    | 6500 K               | 160 mm x 18 mm x 8 mm<br>(6.300 in x 0.709 in x 0.320 in)  | 1.11 W   | 150 lm/W         |   |
|                          |             | 701989-4W24SB1    | 4000 K               |  |          |                  |   |
| SloanLED BrightLINE 2 LP | Long        | 701989-6W24LB2    | 6500 K               | 479 mm x 18 mm x 8 mm<br>(18.875 in x 0.709 in x 0.320 in) | 2.05 W   | 163 lm/W         | 44-unit daisy-chain per bag, 6 bags per carton  |
|                          |             | 701989-4W24LB2    | 4000 K               |  |          |                  |   |
|                          | Short       | 701989-6W24SB2    | 6500 K               | 160 mm x 18 mm x 8 mm<br>(6.300 in x 0.709 in x 0.320 in)  | 0.68 W   | 163 lm/W         |   |
|                          |             | 701989-4W24SB2    | 4000 K               |  |          |                  |   |

LEDs per strip ..... Long .....6  
Short .....2

Strips per meter / foot ..... SloanLED BrightLINE 2 ..... 6.7 / 2.0  
(fully spaced) SloanLED BrightLINE 2 LP ... 10.0 / 3.1

### Coverage per row

| Depth         | Spacing       |
|---------------|---------------|
| 40 mm (1.6")  | 100 mm (4.0") |
| 50 mm (2.0")  | 120 mm (5.0") |
| 60 mm (2.4")+ | 150 mm (6.0") |

Operating temperature ..... -40° C to +60° C

Protection class ..... IP5X

Life rating ..... >54,000 hours

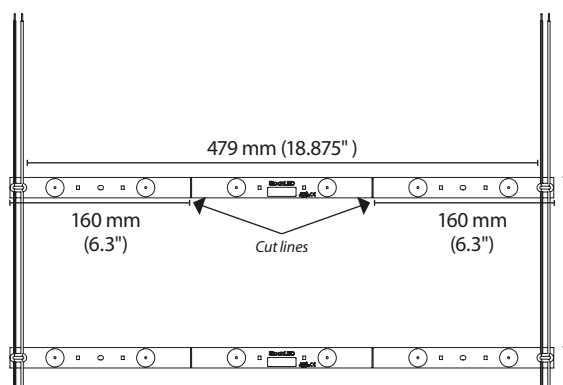
Optional dimming ..... PWM (Pulse width modulation,  
SloanLED Universal LED  
Wireless Dimmer 601115)

## Power Supply Capacity

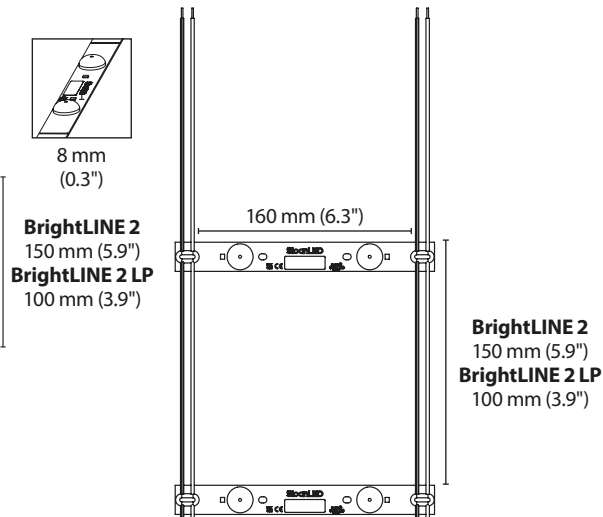
| 24 VDC power supply              | Maximum meters (feet) / LED strips                        |   |  |  |
|----------------------------------|---|---|--|--|
|                                  | SloanLED BrightLINE 2 Long 3.3 W/strip, 22 W/m (6.7 W/ft) | SloanLED BrightLINE 2 Short 1.1 W/strip, 7.4 W/m (2.2 W/ft) | SloanLED BrightLINE 2 LP Long 2.0 W/strip, 20.5 W/m (4.1 W/ft) | SloanLED BrightLINE 2 LP Short 0.7 W/strip, 6.8 W/m (1.4 W/ft) |
| 30 W Power Supply (EU/ROW ONLY)  | 1.2 m (3.9 ft) / 8 strips                                 | 3.6 m (11.8 ft) / 24 strips                                 | 2.0 m (6.4 ft) / 13 strips                                     | 6.0 m (19.7 ft) / 40 strips                                    |
| 60 W Power Supply                | 2.4 m (7.9 ft) / 16 strips                                | 7.4 m (24.1 ft) / 49 strips                                 | 3.9 m (12.8 ft) / 26 strips                                    | 11.9 m (38.9 ft) / 79 strips                                   |
| 96 W Power Supply                | 4.1 m (13.3 ft) / 27 strips                               | 12.2 m (39.9 ft) / 81 strips                                | 6.6 m (21.6 ft) / 44 strips                                    | 19.8 m (64.9 ft) / 132 strips                                  |
| 3 x 96 W Power Supply            | 3 x 4.1 m (13.3 ft) / 27 strips                           | 3 x 12.2 m (39.9 ft) / 81 strips                            | 3 x 6.6 m (21.6 ft) / 44 strips                                | 3 x 19.8 m (64.9 ft) / 132 strips                              |
| 100 W Power Supply               | 4.1 m (13.3 ft) / 27 strips                               | 12.2 m (39.9 ft) / 81 strips                                | 6.6 m (21.6 ft) / 44 strips                                    | 19.8 m (64.9 ft) / 132 strips                                  |
| 150 W Power Supply (EU/ROW ONLY) | 6.2 m (20.2 ft) / 41 strips                               | 18.3 m (60.0 ft) / 122 strips                               | 9.9 m (32.5 ft) / 66 strips                                    | 29.7 m (97.4 ft) / 198 strips                                  |

## Dimensions

### SloanLED BrightLINE 2 & SloanLED BrightLINE 2 LP Long



### SloanLED BrightLINE 2 & SloanLED BrightLINE 2 LP Short



**SloanLED Headquarters**  
5725 Olivas Park Drive, Ventura, CA, USA  
805.676.3200 • info@SloanLED.com

**SloanLED Europe b.v.**  
Argonstraat 110, 2718 SN Zoetermeer, NL  
+31 88 12 44 900 • europe@SloanLED.com



SloanLED.com

© 2022 SloanLED Rev B 2022-05-04



Specifications subject to change without notice.

CELEBRATING

